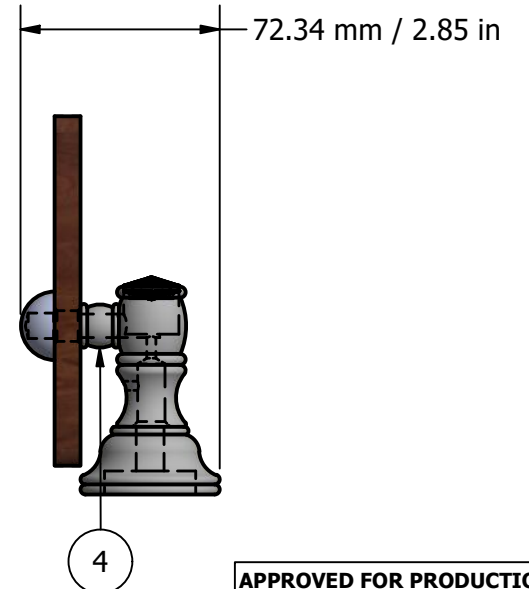
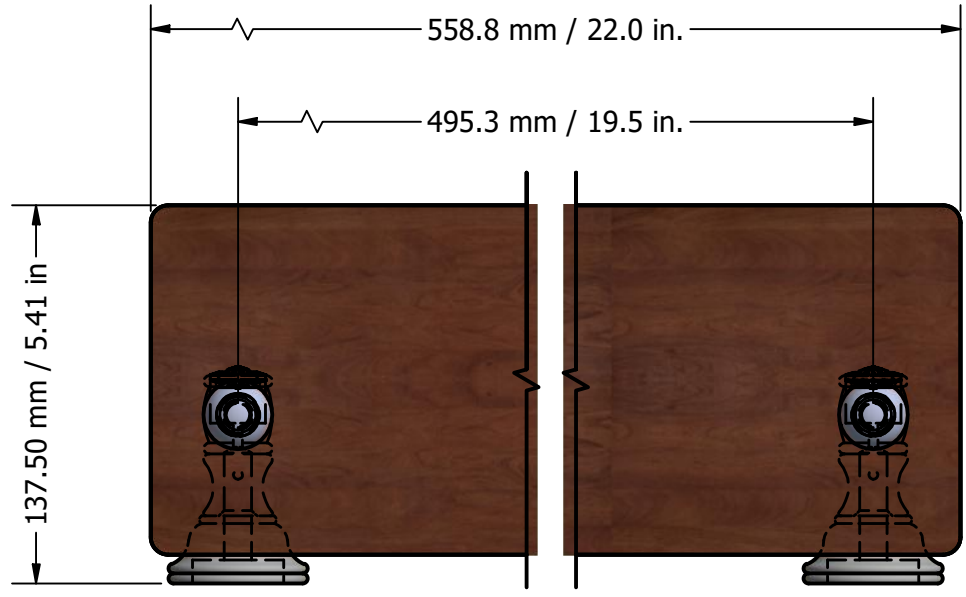
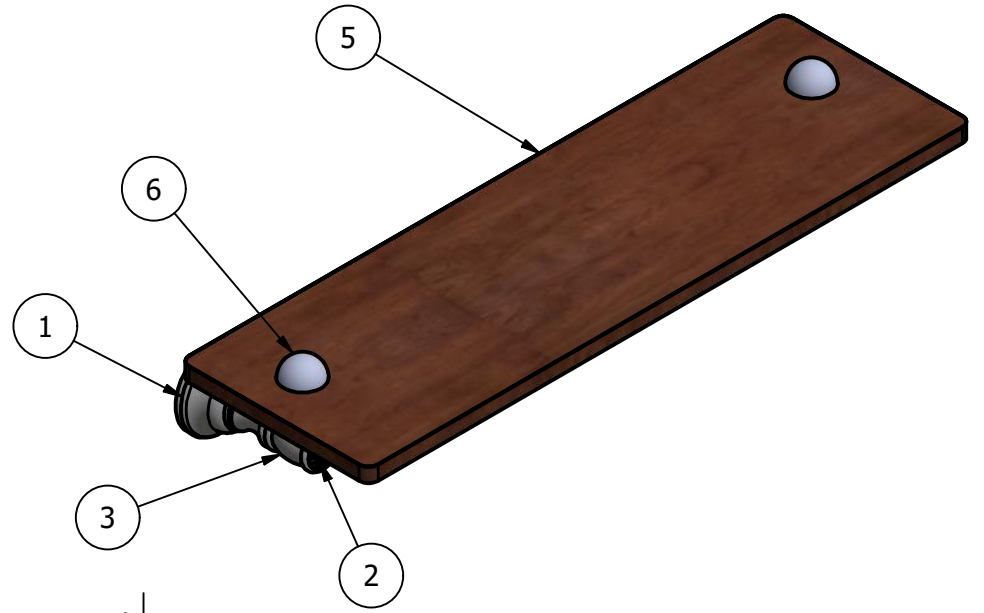




PARTS LIST			
ITEM	QTY	PART NUMBER	DESCRIPTION
1	2	TBBS-2	BACKPLATE
2	2	CRYSTCAP-20	CRYSTAL CAP
3	2	TSPS-2	CAP
4	2	PSRD-58	HUB
5	1	IRWRT-22	22" IPE SHELF
6	2	CAHR-1	CAP



UNLESS OTHERWISE SPECIFIED	
.X	± .3mm
.XX	± .15mm
.XXX	± .008mm

UNIT IS IN MM.

APPROVED FOR PRODUCTION
 By: RICHARD PAUL
 Date: 10-30-19

DRAWN	10-30-19	IM	MATERIAL:	BRASS		FINISH	TBD		
CHECKED	10-30-19	P.D.	DESCRIPTION:			QTY	TBD		
APPROVED	10-30-19	R.A.	Carolina Crystal Collection 22 Inch Wood Shelf			DRAWING NO.		REV	
 THIRD ANGLE PROJECTION						CC-1-22-IRW		0	
						SCALE	1.5:1	SHEET: 1 OF 1	A4